

# Mounting Posts – Half-inch

## Optics

Lenses & Microscope Components

Coatings

Mirrors, Beamsplitters & Windows

Prisms & Polarizers

Filters

Pinholes

- Removable M4 or 8-32 threaded stud in top
- M6 or 1/4-20 thread in base
- Half-inch (12.7 mm) diameter
- Durable stainless steel
- Exceptional value
- Compatible with *Precise™* Mirror Mounts



Ealing's new range of stainless steel Half-inch Mounting Posts offer excellent compatibility with all industry standard component mounts with M4 (8-32) threads or clearance holes. These new Mounting Posts fit into a wide range of holders for table and rail mounting. Their stainless steel construction makes them extremely durable and corrosion

resistant. The M4 (8-32) removable stud provides for attachment to most industry standard component mounts including the new Ealing *Precise™* Mirror Mounts. The M6 (1/4-20) thread in the bottom of the post can be used for direct mounting to bases or positioners as required.

## Opto-mechanics

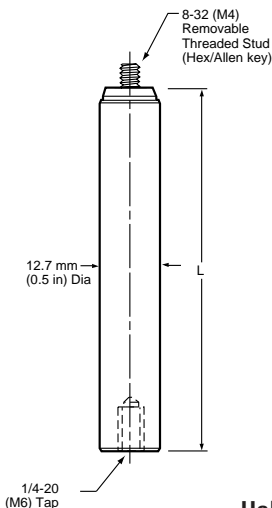
Tables, Breadboards & Rails

Mounting Hardware

Mirror & Component Mounts

Manual Micro-positioners

Motorized Positioners



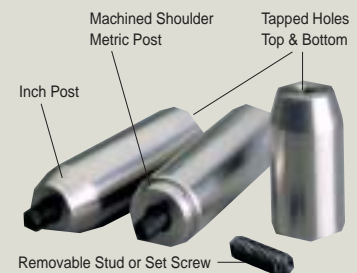
Half-inch Mounting Post

### Specifications

**Diameter:** 12.7 +0/-0.02mm  
**Material:** Stainless steel

### Half-inch Posts - removable studs

Ealing's Half-inch Posts are designed to be the most versatile posts in the Lab. They are tapped top and bottom to accept two different sizes of threaded studs. The photo opposite also shows how metric and inch posts can be distinguished (metric posts have a machined bevelled shoulder).



### Half-inch Mounting Posts (Metric)

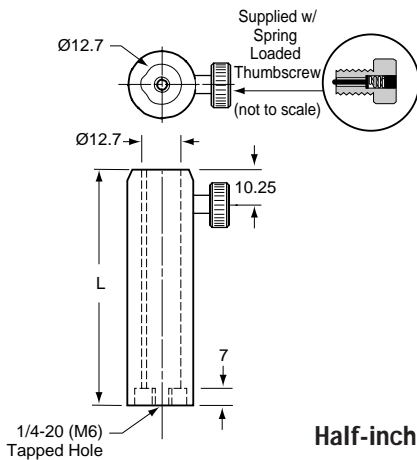
Catalog Number Metric	Length (mm)	Price US
53-1723	30	\$5.60
53-1731	40	\$5.60
53-1749	50	\$5.60
53-1756	75	\$5.60
53-1764	100	\$7.25
53-1772	150	\$8.00
53-1780	200	\$8.80
53-1798	250	\$9.90
53-1806	300	\$12.65

### Half-inch Mounting Posts (Inch)

Catalog Number Inch	Length (inch)	Price US
61-1723	1	\$5.60
61-1731	1.5	\$5.60
61-1749	2	\$5.60
61-1756	3	\$5.60
61-1764	4	\$7.25
61-1772	6	\$8.00
61-1780	8	\$8.80
61-1798	10	\$9.90
61-1806	12	\$12.65

# Post Holders – Half-inch

- Smooth height adjustment using sprung thumbscrew
- Ideal for use with Half-inch Posts
- Double bored for precise fit
- Available in Inch or Metric versions



Half-inch Post Holder

Ealing's new range of Half-inch Posts can be supported in a variety of fixed and adjustable mounts. These include a new range of fixed length post holders shown here. The post holders in turn, may be mounted onto optical tables or breadboards and onto metric and inch positioners directly or through one of our new range of Post Holder Bases. The posts then provide fixed or adjustable locations for Ealing's wide range of component mounts including lens holders, Precise™ Mirror Mounts, Prism/Beamsplitter Mounts, Diode Laser Mounts and Filter Holders.

Ealing Half-inch Post Holders are double-bored to provide a groove

opposite the knurled locking screw. This gives two-lines of contact for a precision, centered fit on any Half-inch Post. Posts are locked in place by a knurled, spring loaded brass thumb screw located at the top of the Post Holder and drawn in cross section below.

The Post Holders are available in inch or metric versions and in a range of lengths from 25 mm (1 inch) up to 150 mm (6 inches). They attach to the mounting surface by means of a single M6 or 1/4-20 screw (supplied).

**Note: These Post Holders will not accept 13.7 mm Diameter Posts, please call for details of suitable holders.**

## Post Holders – Half-inch (12.7 mm)

Catalog Number	Description	Max Post Dia (mm)	Length L	Thread in Base	Price US
61-2036	Post Holder 1 inch Long 1/4-20 Thread	12.7	1 inch	1/4-20	\$9.00
61-2044	Post Holder 1.5 inch Long 1/4-20 Thread	12.7	1.5 inch	1/4-20	\$9.00
61-2057	Post Holder 2 inch Long 1/4-20 Thread	12.7	2 inch	1/4-20	\$9.00
61-2069	Post Holder 3 inch Long 1/4-20 Thread	12.7	3 inch	1/4-20	\$10.00
61-2077	Post Holder 4 inch Long 1/4-20 Thread	12.7	4 inch	1/4-20	\$14.00
61-2085	Post Holder 6 inch Long 1/4-20 Thread	12.7	6 inch	1/4-20	\$18.00
53-2036	Post Holder 25 mm Long M6 Thread	12.7	25 mm	M6	\$9.00
53-2044	Post Holder 40 mm Long M6 Thread	12.7	40 mm	M6	\$9.00
53-2057	Post Holder 50 mm Long M6 Thread	12.7	50 mm	M6	\$9.00
53-2069	Post Holder 75 mm Long M6 Thread	12.7	75 mm	M6	\$10.00
53-2077	Post Holder 100 mm Long M6 Thread	12.7	100 mm	M6	\$14.00
53-2085	Post Holder 150 mm Long M6 Thread	12.7	150 mm	M6	\$18.00

### Optics

Lenses & Microscope Components

Coatings

Mirrors, Beamsplitters & Windows

Prisms & Polarizers

Filters

Pinholes

### Opto-mechanics

Tables, Breadboards & Rails

Mounting Hardware

Mirror & Component Mounts

Manual Micro-positioners

Motorized Positioners

### Lasers & Accessories

Beam Delivery

Laser Measurement

Diode Laser Modules

# Adjustable Post Holders



- Enable accurate vertical adjustment of mounting posts
- 25mm of vertical travel
- Two versions standard and high precision
- Rigid stable designs
- Double bored for precise centered fit

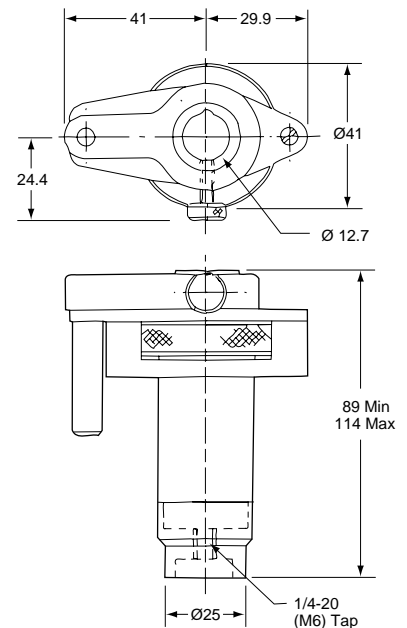
Ealing offers two different types of adjustable post holder. A low cost standard design and a more accurately engineered high precision design.

The standard adjustable post holder offers coarse and fine height adjustment for mounting posts over a range of 25 mm. The initial height setting is made by adjusting the knurled collar to its appropriate mid-point and then clamping the mounting post at the desired height. Fine adjustment is then available using the knurled collar over a range of 12.5 mm in each direction. One turn of the collar provides one millimeter of vertical travel.

The high precision unit provides finely controlled vertical movement over a 25 mm range, with a complete absence of rotation during adjustment. Vertical positioning is made easy using a large diameter knurled wheel that gives a resolution of 10 mm.

Adjustable Post Holders are double-bored to provide two-line contact for half-inch (12.7 mm) diameter mounting posts. They can be mounted to a post

**53-2788/61-2788**  
Precision Adjustable Post Holder



holder base or directly attached to the mounting surface using the removable M6 or 1/4-20 stud and locknut supplied.

## Adjustable Post Holders – Standard and High Precision

Catalog Number	Description	Thread in Base	Price US
53-2788	Precision Adjustable Post Holder, for Half-inch Posts, Metric	M6	\$127.05
61-2788	Precision Adjustable Post Holder, for Half-inch Posts, Inch	1/4-20	\$127.05

### Optics

Lenses & Microscope Components

Coatings

Mirrors, Beamsplitters & Windows

Prisms & Polarizers

Filters

Pinholes

### Opto-mechanics

Tables, Breadboards & Rails

Mounting Hardware

Mirror & Component Mounts

Manual Micro-positioners

Motorized Positioners

### Lasers & Accessories

Beam Delivery

Laser Measurement

Diode Laser Modules

# Mounting Bases

- Designed for use with post holders or diode mounts
- Table or rail mounting
- Three different styles available
- M6 / 1/4-20 clearance holes and M4 / 8-32 version

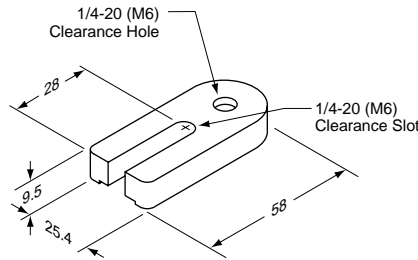


- Optics
- Lenses & Microscope Components
- Coatings
- Mirrors, Beamsplitters & Windows
- Prisms & Polarizers
- Filters
- Pinholes

Ealing's new range of Post Holder Mounting Bases is designed to be used with any of our post holders described on the previous pages. These bases provide stable platforms for table or rail mounting, and are compatible with both Inch and Metric Tables. There are three styles to choose from (short narrow, narrow and wide) depending on the space available and load to be mounted. The wide mounting base is also offered in a version designed for component mounts with threaded 8-32 (M4) mounting holes such as our cost effective Laser Diode Mounts.

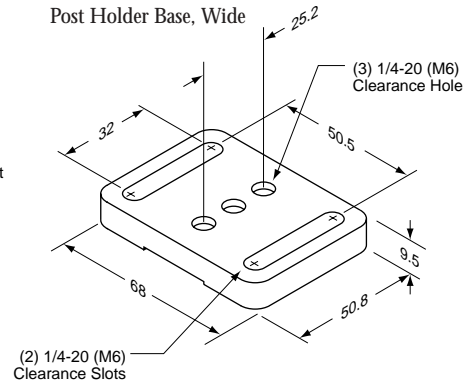
## 53-1681

Post Holder Base, Short Narrow



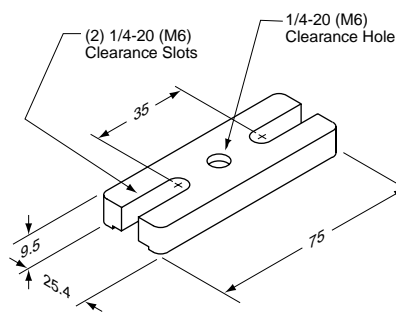
## 53-1707

Post Holder Base, Wide



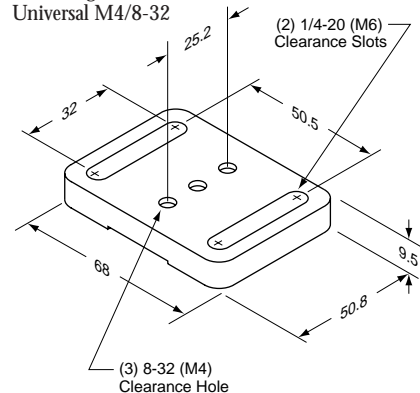
## 53-1699

Post Holder Base, Narrow



## 53-1913

Mounting Base, Universal M4/8-32



- Opto-mechanics
- Tables, Breadboards & Rails
- Mounting Hardware
- Mirror & Component Mounts
- Manual Micro-positioners
- Motorized Positioners

## Mounting Bases

Catalog Number	Description	Price US
53-1681	Post Holder Base, Short Narrow	\$9.00
53-1699	Post Holder Base, Narrow	\$9.00
53-1707	Post Holder Base, Wide	\$12.00
53-1913	Mounting Base, Universal M4/8-32	\$14.00

- Lasers & Accessories
- Beam Delivery
- Laser Measurement
- Diode Laser Modules

# General Purpose Table Mounting Bases

## Optics

Lenses & Microscope Components

Coatings

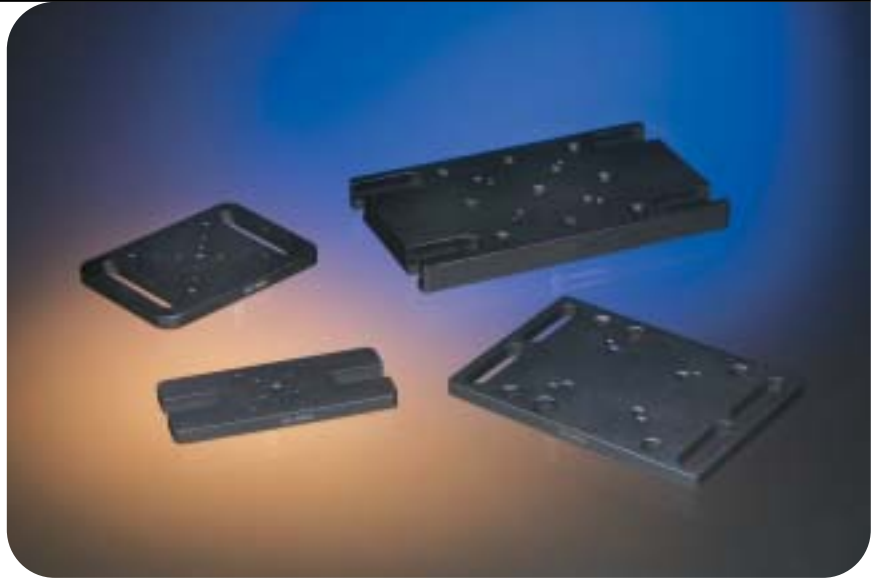
Mirrors, Beamsplitters & Windows

Prisms & Polarizers

Filters

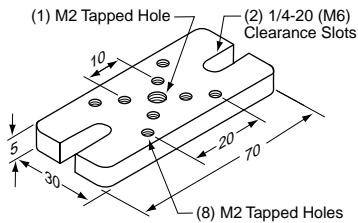
Pinholes

- Five different designs
- Ideal for mounting to tables
- Useful range of hole patterns
- Anodized aluminum construction



### 53-3802

Narrow Base Plate



Ealing's General Purpose Mounting Bases allow a wide range of micropositioners and component mounts to be directly mounted to an optical table, breadboard, MacroMech positioner, or rail carrier.

Bases are available in either narrow or wide designs, and in MicroMech or MiniMech sizes. The narrow designs are intended for applications where space is limited and the most compact mount is required. The wider designs have slots that allow adjustable positioning of the base.

## Opto-mechanics

Tables, Breadboards & Rails

Mounting Hardware

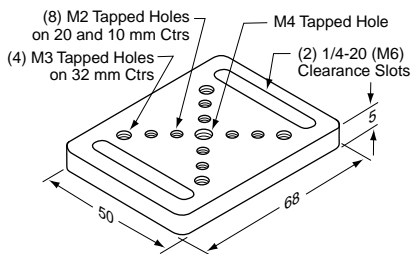
Mirror & Component Mounts

Manual Micro-positioners

Motorized Positioners

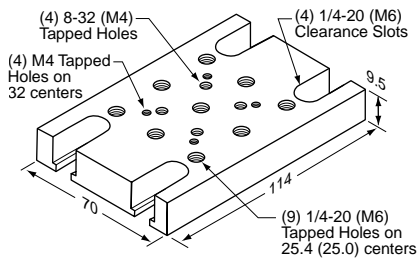
### 53-3810

Wide Slotted Base Plate



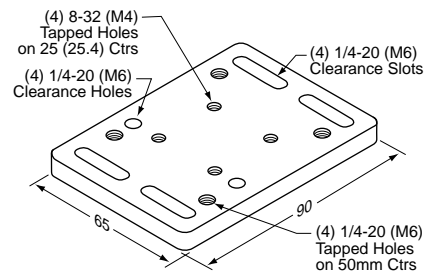
### 74-0089/61-0089

Wide Base Plate



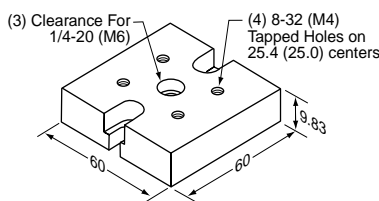
### 53-3828/61-3828

Slotted Base Plate



### 74-0212/61-0212

Compact Base Plate



## General Purpose Table Mounting Bases

Catalog Number	Description	Price US
53-3802	MicroMech Narrow Base Plate, Metric	\$20.00
53-3810	MicroMech Wide Slotted Base Plate, Metric	\$25.00
74-0212	MiniMech Compact Base Plate, Metric	\$18.70
61-0212	MiniMech Compact Base Plate, Inch	\$18.70
74-0089	MiniMech Wide Base Plate, Adjustable, Metric	\$30.00
61-0089	MiniMech Wide Base Plate, Adjustable, Inch	\$30.00
53-3828	MiniMech/Series 640 Slotted Base Plate, Metric	\$35.00
61-3828	MiniMech/Series 640 Slotted Base Plate, Inch	\$35.00

## Lasers & Accessories

Beam Delivery

Laser Measurement

Diode Laser Modules

# Magnetic Mounting Bases

- Versatile positioning on any ferromagnetic surface
- Strong permanent magnet provides positive clamping to table surface
- Economically priced studded version now available



These versatile Magnetic Mounting Bases may be positioned anywhere on a ferromagnetic steel-surfaced optical table. The switch rotates a strong permanent magnet, turning it 'on' or 'off'. Magnetic Mounting Bases are available with a single, central M6 or

1/4-20 mounting stud, or a top plate containing metric or inch hole patterns.

The threaded stud versions will accept Mounting Posts, Post Holders and StablePillar™ Pedestals directly.

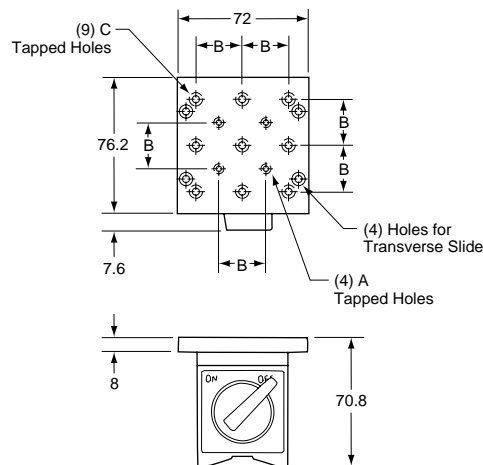
## Application Example

Magnetic Mounting Bases are ideal for use as a moveable optical mount. They are compatible with our range of Stablepillar™ Pedestals.



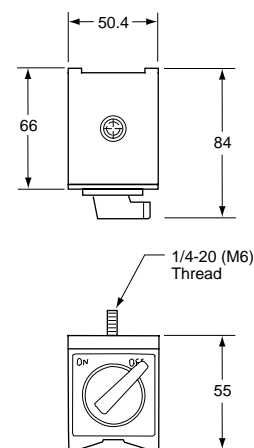
### 53-0824/61-0824

Magnetic Mounting Base with Top Plate



### 53-2390/61-2390

Magnetic Mounting Base with Threaded Stud



## Magnetic Mounting Bases

Catalog Number	Description	Thread A	B	C	Price US
53-0824	Magnetic Mounting Base with Top Plate, Metric	M3	25 mm	M6	\$90.30
61-0824	Magnetic Mounting Base with Top Plate, Inch	8-32	1 inch	1/4-20	\$90.30
53-2390	Magnetic Mounting Base with M6 Threaded Stud	M6			\$54.00
61-2390	Magnetic Mounting Base with 1/4-20 Threaded Stud	1/4-20			\$54.00

Optics

Lenses & Microscope Components

Coatings

Mirrors, Beamsplitters & Windows

Prisms & Polarizers

Filters

Pinholes

Opto-mechanics

Tables, Breadboards & Rails

Mounting Hardware

Mirror & Component Mounts

Manual Micro-positioners

Motorized Positioners

Lasers & Accessories

Beam Delivery

Laser Measurement

Diode Laser Modules

# Table Clamps – Fixed



- Economically priced
- Medium and heavy duty designs
- Ideal for fixing items such as optical rails to a table
- Compatible with M6 and 1/4-20 mounting screws

## Optics

Lenses & Microscope Components

Coatings

Mirrors, Beamsplitters & Windows

Prisms & Polarizers

Filters

Pinholes

## Opto-mechanics

Tables, Breadboards & Rails

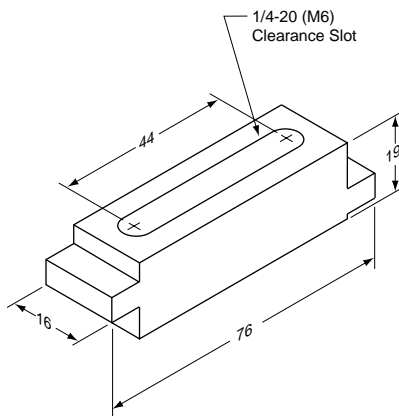
Mounting Hardware

Mirror & Component Mounts

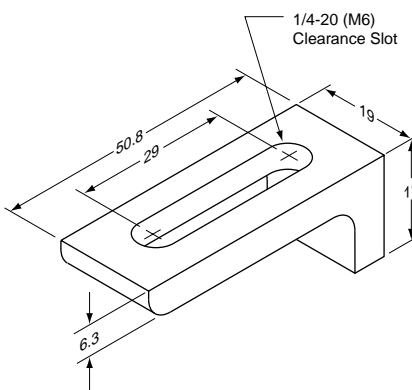
Manual Micro-positioners

Motorized Positioners

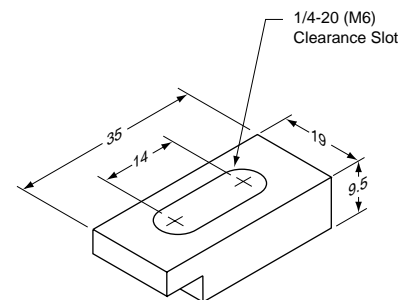
**53-2135**  
Heavy Duty Table Clamp



**53-2176**  
Angled Table Clamp



**53-2168**  
Compact Table Clamp



Ealing's new range of Fixed Table Clamps includes the designs shown. They are ideal for clamping rails and other products to optical tables or breadboards. All designs incorporate a long machined slot which has clearance

for 1/4-20 or M6 screws and allows for flexibility in positioning the clamp. The angled clamps are ideal for holding optical rails firmly onto a table top surface.

## Specifications & Tolerances

**Material:** Black anodized aluminum

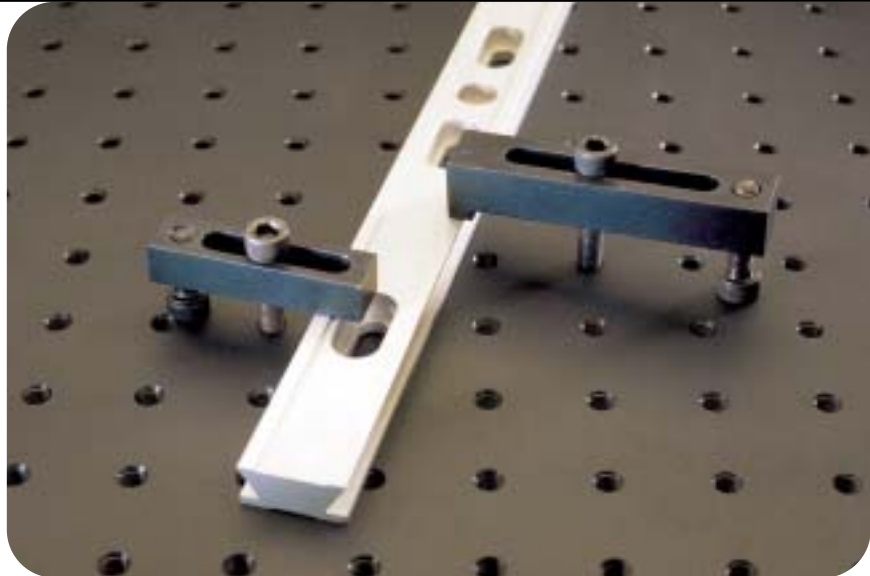
**Dimensions:** ±0.2 mm

## Table Clamps – Fixed

Catalog Number	Description	Price US
53-2135	Heavy Duty Table Clamp	\$6.05
53-2168	Compact Table Clamp	\$4.95
53-2176	Angled Table Clamp	\$3.85

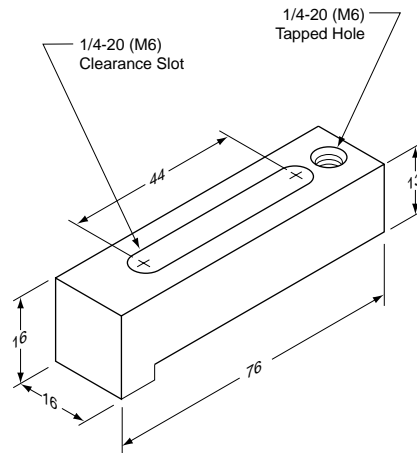
# Table Clamps – Adjustable

- Economically priced
- Adjustable clamp design
- Ideal for fixing items such as optical rails to a table
- Compatible with M6 and 1/4-20 mounting screws

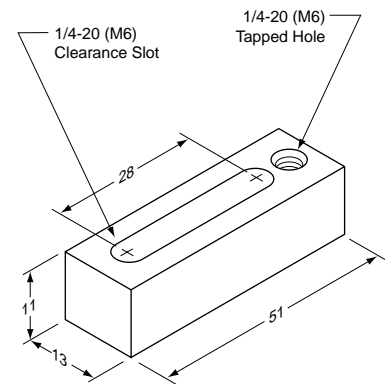


- Optics
- Lenses & Microscope Components
- Coatings
- Mirrors, Beamsplitters & Windows
- Prisms & Polarizers
- Filters
- Pinholes

**53-2143/61-2143**  
Adjustable Heavy Duty Table Clamp



**53-2150/61-2150**  
Medium Duty Adjustable Table Clamp



Ealing's new range of Adjustable Table Clamps are ideal for clamping rails and other products to Optical Tables or Breadboards. The adjustable design

incorporates a threaded hole at one end for different height mounting using either 1/4-20 or M6 screws.

- Opto-mechanics
- Tables, Breadboards & Rails
- Mounting Hardware
- Mirror & Component Mounts
- Manual Micro-positioners
- Motorized Positioners

**Specifications & Tolerances**  
Material: Black anodized aluminum  
Dimensions:  $\pm 0.2$  mm

## Table Clamps – Adjustable

Catalog Number	Description	Price US
53-2150	Medium Duty Adjustable Table Clamp, Metric	\$6.00
61-2150	Medium Duty Adjustable Table Clamp, Inch	\$6.00
53-2143	Adjustable Heavy Duty Table Clamp, Metric	\$8.00
61-2143	Adjustable Heavy Duty Table Clamp, Inch	\$8.00

- Lasers & Accessories
- Beam Delivery
- Laser Measurement
- Diode Laser Modules



# Half-Inch Post Clamps

## Optics

Lenses & Microscope Components

Coatings

Mirrors, Beamsplitters & Windows

Prisms & Polarizers

Filters

Pinholes

- Rigid right angle or swivel clamp designs
- Low cost versions available
- Co-axial swivel clamp gives unmatched rigidity
- Swivel clamps allow 360 degree rotation of a mounting post



## Opto-mechanics

Tables, Breadboards & Rails

Mounting Hardware

Mirror & Component Mounts

Manual Micro-positioners

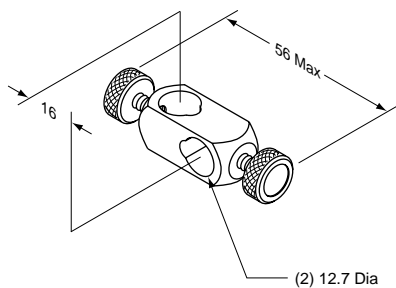
Motorized Positioners

Ealing offers three different types of half-inch post clamps.

The dual half-inch clamp allows two posts to be firmly mounted at right angles to each other, it has hole centers 16mm apart and is double bored to give a very positive hold on half inch posts.

The new co-axial half-inch swivel clamp is ideal for applications that require a

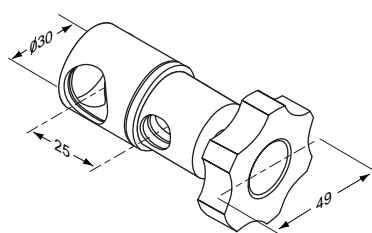
**53-2101**  
Right Angle Clamp, Half-inch posts



heavy object to be clamped firmly and securely at a variety of angles with unmatched rigidity. It is constructed of aluminum and stainless steel with a single large delrin clamp knob. It's unique co-axial design enables extremely rigid clamping of two posts at any angle simply by tightening the knob.

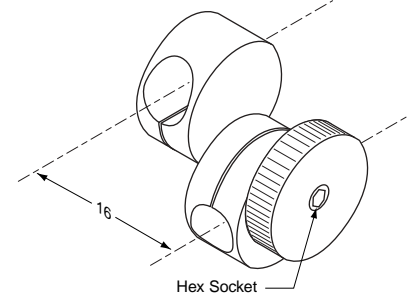
The low cost half-inch swivel clamp is based on a more common split body

**53-3844**  
Co-Axial Swivel Clamp, Dual Half-inch posts



design. This design allows two half-inch posts to be clamped at any angle using the single tightening knob on the side. The posts can be more rigidly clamped by further tightening using the hex socket incorporated into the knurled knob. These clamps are suitable for light loads, for heavier loads use the more rigid co-axial clamp.

**53-3869**  
Low Cost Swivel Clamp, Dual Half-inch posts



## Lasers & Accessories

Beam Delivery

Laser Measurement

Diode Laser Modules

## Half-Inch Post Clamps

Catalog Number	Description	Price US
53-2101	Right Angle Clamp, Half-inch posts	\$24.00
53-3844	Co-Axial Swivel Clamp, Dual Half-inch posts	\$134.00
53-3869	Low Cost Swivel Clamp, Dual Half-inch posts	\$44.00

# StablePillar™ to Half-Inch Post Clamps

- Rigid swivel clamp designs
- Designed specifically for 25mm StablePillar™ and half inch posts
- Low cost version available
- Co-axial swivel clamp design for high rigidity.
- Swivel clamps allow 360 degree rotation of a mounting post



Ealing offers two different types of StablePillar to half-inch post clamps. Both of these clamps allow a half-inch post to be firmly mounted at any angle to a StablePillar or other 25.0mm post.

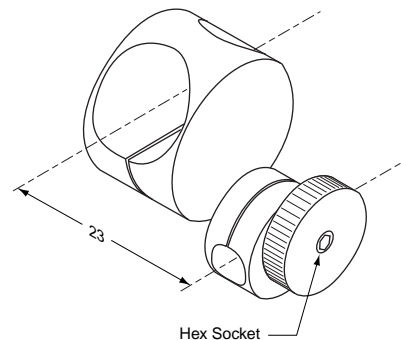
The new co-axial StablePillar swivel clamp is ideal for applications that require a heavy object to be clamped firmly and securely at a variety of angles

with unmatched rigidity. This clamp is constructed of aluminum and stainless steel with a single large delrin clamp knob. It's unique co-axial design enables extremely rigid clamping of two posts at any angle simply by tightening the knob.

The low cost StablePillar swivel clamp is based on a split body design. This design allows a half-inch post to be clamped at

any angle to the StablePillar using the single tightening knob on the side. The post can be more rigidly clamped by further tightening using the hex socket incorporated into the knurled knob. These clamps are suitable for light loads, for heavier loads use the more rigid co-axial clamp.

**53-3877**  
Low Cost StablePillar Swivel Clamp



## StablePillar™ to Half-Inch Post Clamps

Catalog Number	Description	Price US
53-3877	Low Cost StablePillar Swivel Clamp, 25mm to 12.7mm posts	\$57.75

### Optics

Lenses & Microscope Components

Coatings

Mirrors, Beamsplitters & Windows

Prisms & Polarizers

Filters

Pinholes

### Opto-mechanics

Tables, Breadboards & Rails

Mounting Hardware

Mirror & Component Mounts

Manual Micro-positioners

Motorized Positioners

### Lasers & Accessories

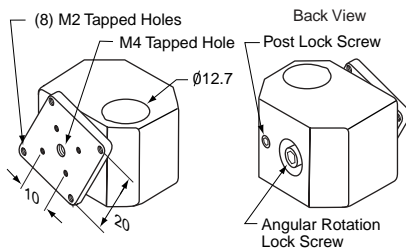
Beam Delivery

Laser Measurement

Diode Laser Modules

# Multi-Purpose Swivel Clamp for Half-inch Posts

- Swivel Clamps for half-inch posts
- Mounts MicroMech positioners at any angle on a post
- Ideal for low cost beam steering units



Micropositioners or component mounts such as mirror mounts can be mounted onto these swivel clamps and locked at any angle.

## Multi-Purpose Swivel Clamp

Catalog Number	Description	Price US
53-3778	MicroMech Multi-purpose Swivel Clamp, 12.7mm posts	\$65.00

# Adjustable Pinhole Mount

- Compatible with 16 mm or 25 mm pinholes

## Adjustable Pinhole Mount

This Adjustable Mount is particularly useful for spatial filter applications as it enables pinholes to be removed or replaced without having to disturb other components in the assembly. The mount accepts any 16 mm diameter pinholes, retaining them in the cell with a bayonet-fitting retaining ring. Vertical and horizontal alignment of the cell is

achieved using the two cap-headed adjustment screws which each have a travel of  $\pm 1$  mm. The Adjustable Pinhole Mount is available in metric and inch versions.

## Threaded Precision Pinhole Holder

This holder accepts the Ealing mounted 25 mm diameter precision pinholes. The

mounted pinholes fit directly into the holder and are held against a flange by means of a retaining ring.

The holder is threaded with an RMS (0.8 inch x 36TPI) thread which will fit directly into any standard microscope objective fitting.

## Pinhole Mounts

Catalog Number	Description	A	B	C	Price US
53-1129	Adjustable Pinhole Mount	M3	25 mm	30 mm	\$72.00
61-1129	Adjustable Pinhole Mount	8-32	1 inch	1.25 inch	\$72.00
22-6019	Threaded Precision Pinhole Holder				\$89.00