

Filter Holders

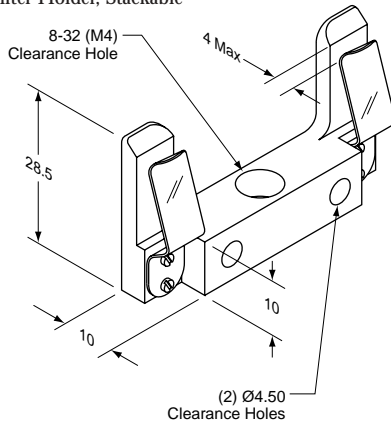
- New stackable filter holder
- Spring clips to hold filters without damage
- Mounts to Half-inch Posts or StablePillars™
- Designs to hold square or round filters



The following filter holders are suitable for use with all types of optical glass filters including color glass, neutral density and interference filters. They have been designed for use with 50.8 mm (2 inch) square filters.

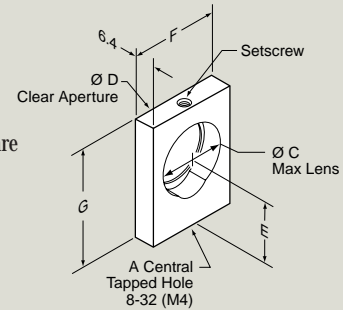
The post mountable Stackable Filter Holder accepts square 50 mm (2 inch) filters of up to 4 mm thickness. This filter holder is supplied with hardware that enables it to be stacked with up to three identical filter holders. This enables combinations of up to three filters to be held in the same mount.

53-2875
Filter Holder, Stackable



Mounting Round Filters

Also available are a range of component mounts suitable for holding 12.7 mm (half-inch) and 25.4 mm (1 inch) round filters. These optic holders are post mountable on Half-inch Posts or StablePillars™. Round filters are held in these mounts by means of a setscrew.



Mounting Round Filters

Catalog Number	Description	Price US
53-2762	Optic Mount for 12.7mm optics, metric	\$14.30
53-2754	Optic Mount for 25.4mm optics, metric	\$14.30
61-2762	Optic Mount for 12.7mm optics, inch	\$14.30
61-2754	Optic Mount for 25.4mm optics, inch	\$14.30

The stackable filter holder has a central clearance hole for mounting directly to any M4 or 8-32 tapped hardware, such as Ealing half-inch posts, StablePillars™, MicroMech™ stages and more.

The classical Single Filter Holder accepts 50 mm square filters up to 4 mm

thickness, and holds these in place using two large spring clips. It has an anodized aluminum body with a central clear aperture which defines the beam shape, an acts as a baffle. The Single Filter Holder is post mountable on a traditional 1/4-20 threaded post.

Filter Holders

Catalog Number	Description	Max. Filter Size	Price US
53-2875	Filter Holder, Stackable	50.8 x 50.8	\$32.00

Optics

Lenses & Microscope Components

Coatings

Mirrors, Beamsplitters & Windows

Prisms & Polarizers

Filters

Pinholes

Opto-mechanics

Tables, Breadboards & Rails

Mounting Hardware

Mirror & Component Mounts

Manual Micro-positioners

Motorized Positioners

Lasers & Accessories

Beam Delivery

Laser Measurement

Diode Laser Modules

Modular Filter Wheels

Optics

Lenses & Microscope Components

Coatings

Mirrors, Beamsplitters & Windows

Prisms & Polarizers

Filters

Pinholes

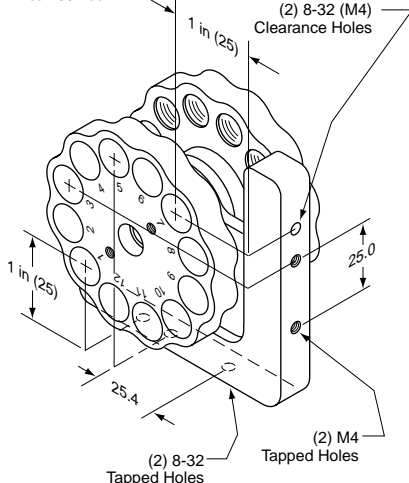
- Base or post mountable designs
- Indexed 6 or 12 position wheels
- Single and dual wheel designs
- Designed for inch or half-inch optics



The Modular Filter Wheels accept up to two wheels. The interchangeable wheels have either 6 or 12 positions depending on whether they are intended for 25.4 mm (1 inch) or 12.7 mm (1/2 inch) diameter filters. These modular filter wheels have threaded cells and retaining rings to hold the filters positively in place. Single or dual wheel versions of both half-inch and one inch designs are available as well as extra wheels that can be added at any time. These modular Filter Wheels accept Ealing's round 25.4 mm or 12.7 mm diameter filters.

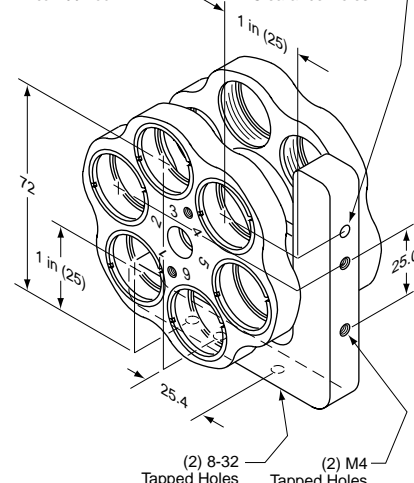
53-9767

Dual 12 Position Modular Filter Wheel



53-9742

Dual 6 Position Modular Filter Wheel



Motorized Filter Wheel

Ealing's LabMotion motorized filter wheel also available.



Opto-mechanics

Tables, Breadboards & Rails

Mounting Hardware

Mirror & Component Mounts

Manual Micro-positioners

Motorized Positioners

Lasers & Accessories

Beam Delivery

Laser Measurement

Diode Laser Modules

Indexed Filter Wheels – Modular, Post Mountable

Catalog Number	Description	Price US
53-9775	Single 6 Position Modular Filter Wheel for 25.4 mm (1 inch) Diameter Filters	\$194.00
53-9742	Dual 6 Position Modular Filter Wheel for 25.4 mm (1 inch) Diameter Filters	\$291.90
53-9783	Extra Wheel Kit for 6 Position Modular Filter Wheel	\$84.00

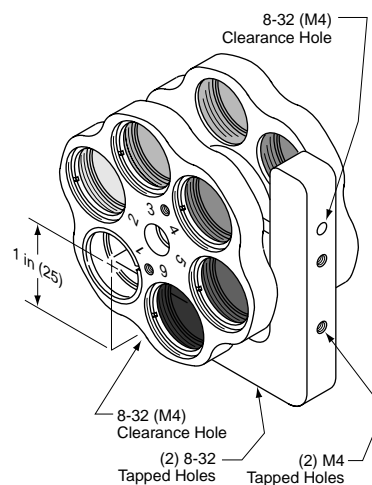
Indexed ND Filter Wheel

- Rapid selection of desired beam attenuation
- Accurate, indexed ND positions
- Absorptive filters reduce etalon effects
- 0 to 3 IND in 36 accurate 0.1 ND steps



The Ealing Indexed Neutral Density Filter Wheel offers a convenient low cost alternative to the continuously variable filter wheels. This dual filter wheel contains 10 absorptive neutral density filters from the standard Ealing range. These filters combine to give a range of neutral densities from 0-3.0 inch accurate calibrated steps of 0.1. The use of absorptive ND filters also avoids the concerns of multiple reflection or etalon effects.

53-9809
Dual 6 Position Filter Wheel with Mounted ND Filters



Filter Wheel Contents Showing Nominal Neutral Density Values

Position	Optical Density					
	1	2	3	4	5	6
Wheel 1	0	0.1	0.2	0.3	0.4	0.5
Wheel 2	0	0.6	1.0	1.6	2.0	2.6

Indexed Neutral Density Filter Wheel

Catalog Number	Description	Price US
53-9809	Dual 6 Position Indexed Filter Wheel with Mounted ND Filters giving a Range of Neutral Densities from 0 to 3.1 in 0.1 Increments	\$467.00

Optics

Lenses & Microscope Components

Coatings

Mirrors, Beamsplitters & Windows

Prisms & Polarizers

Filters

Pinholes

Opto-mechanics

Tables, Breadboards & Rails

Mounting Hardware

Mirror & Component Mounts

Manual Micro-positioners

Motorized Positioners

Lasers & Accessories

Beam Delivery

Laser Measurement

Diode Laser Modules